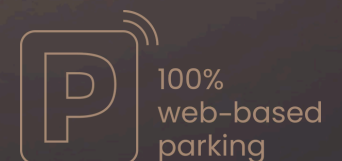


Xperience

IP2 ACCESS

small

- Effortless access control
- Compact solution
- Streamlined design
- Validation by contour light
- Indoor & outdoor usage



IP2 ACCESS small

Xperience effortless access control for a.o pedestrian doors and speedgates with the IP2 ACCESS small. Designed in line with the IP2 series, but in a very compact version. The red/green contour light confirms the validation of access. It's your indoor and outdoor solution when facing restricted installation options or space constraints. The IP2 Access small is powered by the IP ACCESS control box.

Standard

- IP2 line housing with base in RAL9007
- LED contour lighting with access validation in green / red
- Wall mount
- Aluminium housing with anti-corrosion treatment and powder coat finish
- Housing in RAL9007 and RAL9004

Optional

- Barcode/QR code open air scanner
- Multi tech prox card reader
- Intercom with VoIP or SIP communication via TCP / IP
- Housing in RAL color of choice

Dimensions

- 186 (H) x 175 (W) x 110.6(D) mm
- 7.32 (H) x 6.89 (W) x 4.35 (D) inch



Power supply
110 - 230 VAC



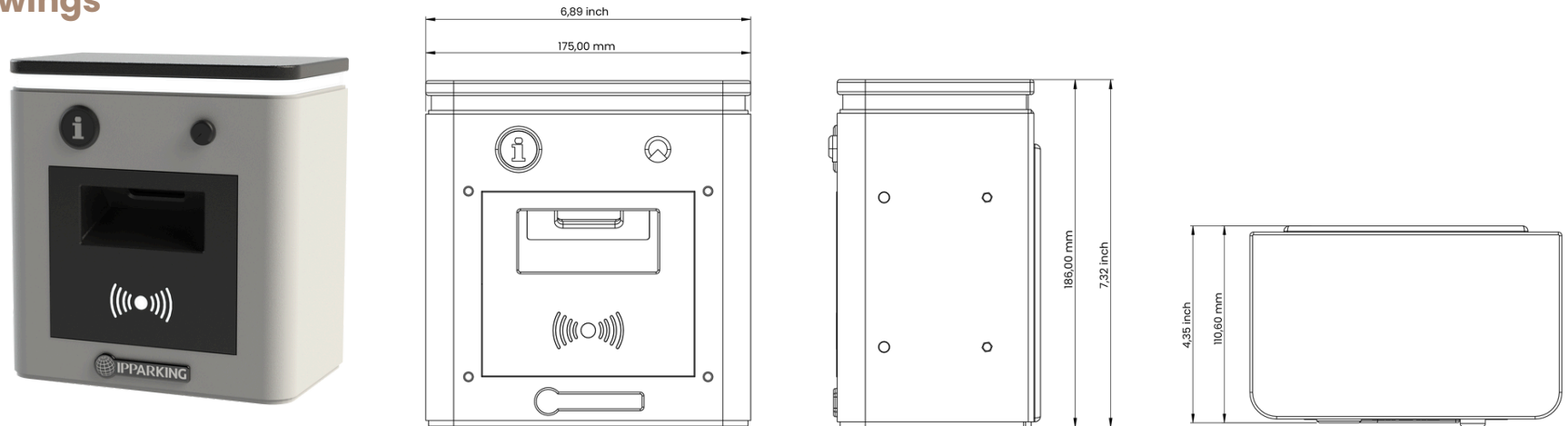
Max. consumption
88 - 126.5 VA



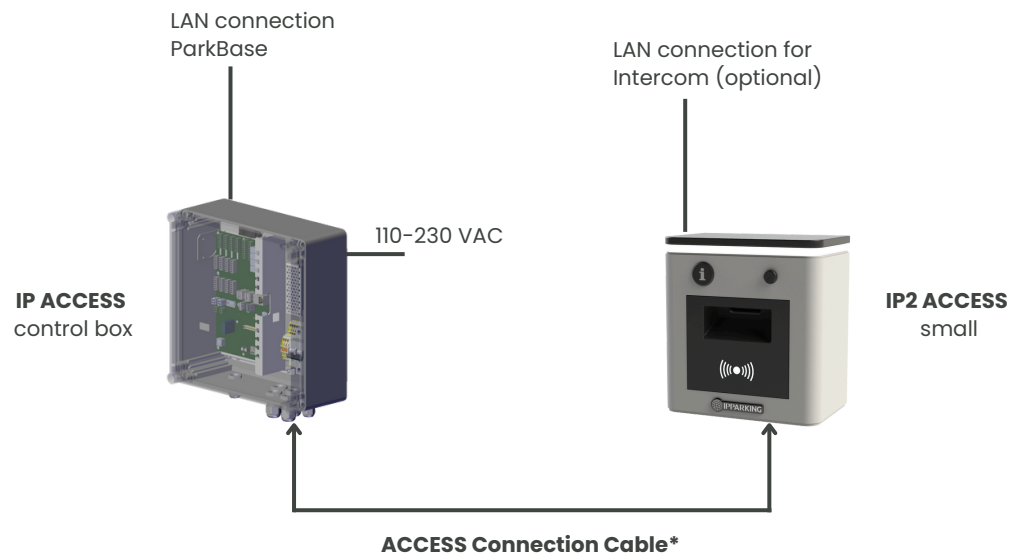
Weight
~ 1,95 kg
~ 4,3 lb

IP2 ACCESS small

Drawings



Technical diagram



* ACCESS Connection Cable

- 16 x 0.34mm² LAPP | 0044716
- Double the yellow wire with gray/pink wire
- Double the green wire with red/blue wire

OR:

- 6x2x0.8mm² or 12x0.8mm².
- Be aware color code is different from scheme.
- Wires do not have to be doubled.

Maximum cable length between IP ACCESS control box and IP2 ACCESS small is 15 meters / 49,21 feet