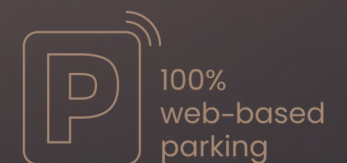
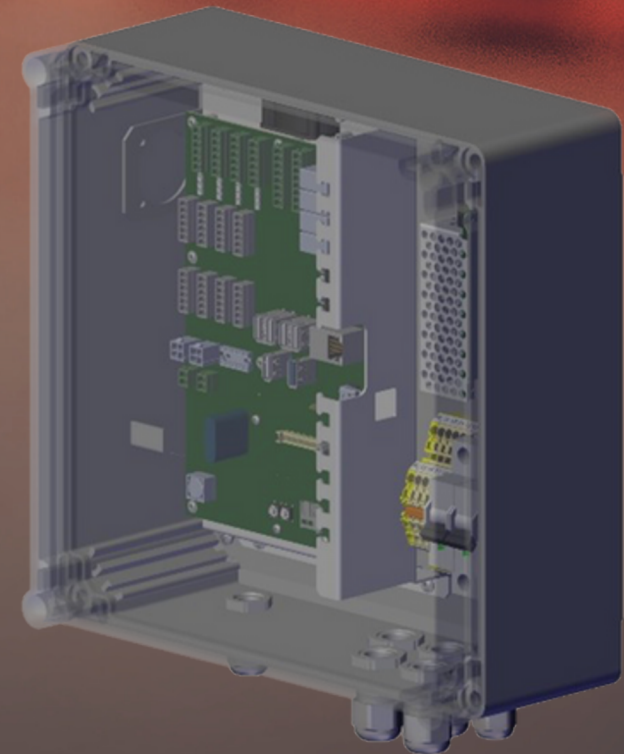


Xperience

IP ACCESS

control

- Universal compatibility
- Versatile in use
- Flexible installation
- Indoor & outdoor usage



IP ACCESS control

IP ACCESS control is a universal controller that can be integrated with ParkBase. This unit can be used for various purposes, such as providing external access control for speedgates, doors, and as a count node in one or two directions, as well as direct control of barriers. The IP ACCESS is standardly delivered in an IP67 box with a transparent cover, available in two different sizes. Additionally, the IP ACCESS control can be supplied on a mounting plate or in a black ABS polycarbonate IP Parking cabinet with Sendzimir mounting plate.

Standard

- External access control for Speedgate, Poller, Door, IP2 ACCESS small
- Count node 1 direction
- Count node 2 directions
- Access control combined with ANPR

Optional

- Switch box regular (IP67 waterproof)
 - 300 x 300 x 132 mm | 11,81 x 11,81 x 5,2 inch
- Switch box large (IP67 waterproof)
 - 300 x 400 x 132 mm | 11,81 x 15,75 x 5,2 inch
- IP Parking cabinet (indoor usage)
 - 320 x 415 x 125 mm | 12,6 x 16,34 x 4,92 inch
- Mounting plate 270 x 270 mm | 10,63 x 10,63 inch
- Mounting plate 320 x 415 mm | 12,6 x 16,34 inch



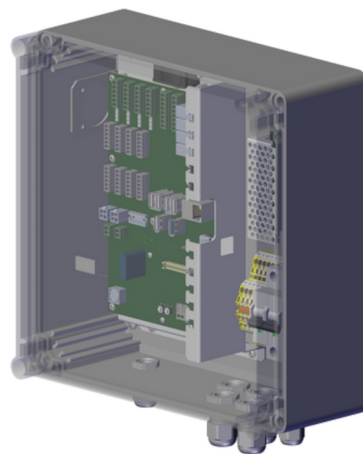
Power supply
110 – 230 VAC



Max. consumption
126.5 VA

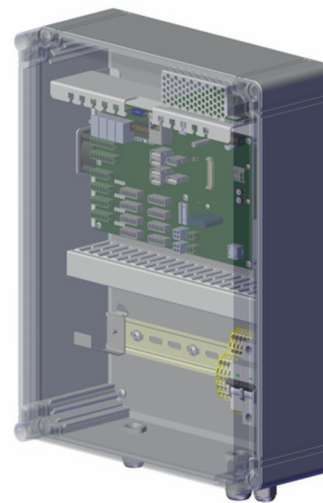


Weight
~4.5 kg
~9.9 lb



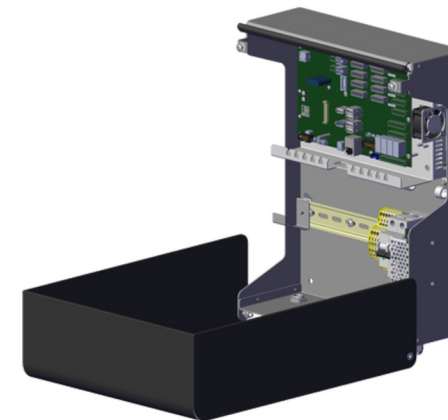
Switch box regular (IP67)

- 300 x 300 x 132 mm
- 11,81 x 11,81 x 5,2 inch



Switch box large (IP67)

- 300 x 400 x 132 mm
- 11,81 x 15,75 x 5,2 inch



IP Parking cabinet (indoor)

- 320 x 415 x 125 mm
- 12,6 x 16,34 x 4,92 inch

